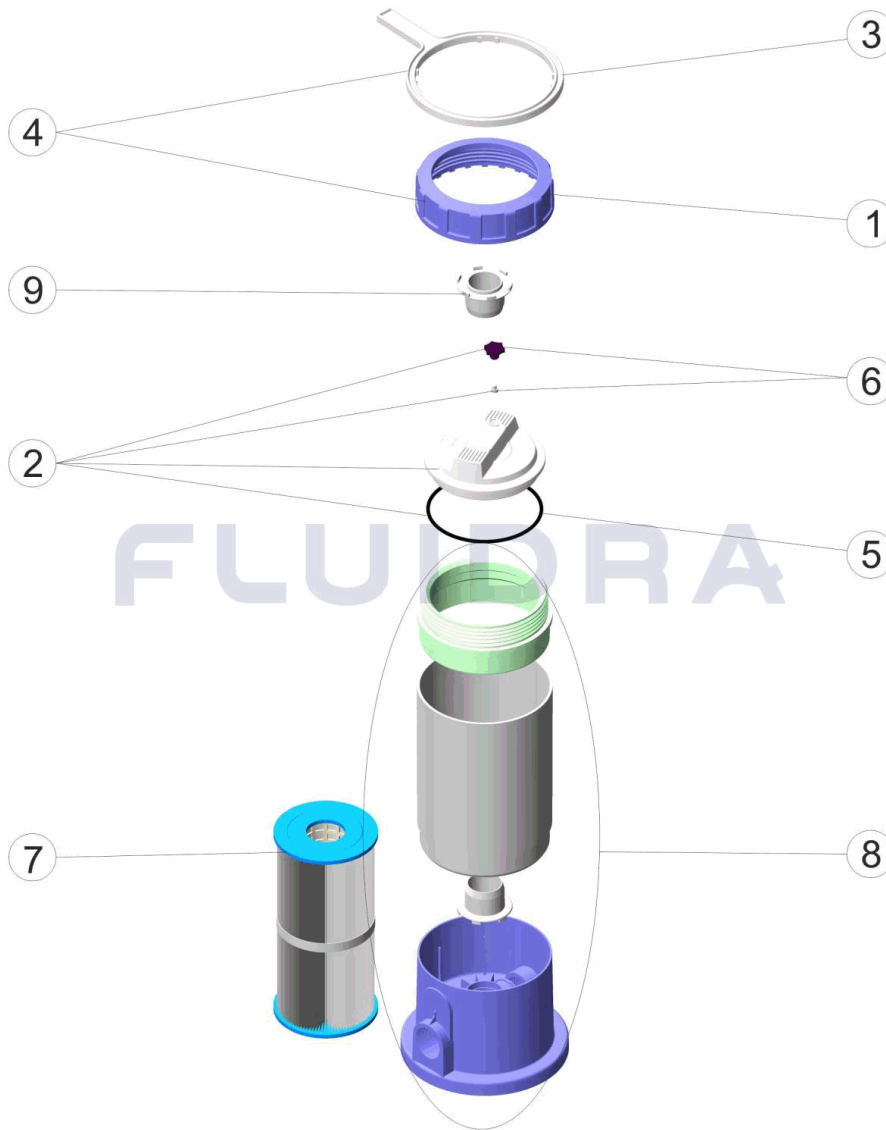


CODIGO 00648, 00649

DESCRIPCION: FILTRO CARTUCHO SPAS 5000L/H. Y 10000 L/H.



ESPAÑOL

POS	CODIGO	DESCRIPCION	POS	CODIGO	DESCRIPCION
1	4404130101	TUERCA TAPA PREFILTRO	7	* 4404150000	CARTUCHO 5000 LIT.AL.T.298X144
2	4404130102	TAPA TRANSPARENTE FILTRO	7	* 4404150001	FILTRO DE CARTUCHO PARA 00649
3	4404130103	LLAVE TUERCA FILTRO	8	* 00648R0300	CJTO. CUERPO FILTRO 00648
4	4404130104	CJTO.TUERCA Y LLAVE FILTRO	8	* 00649R0100	CJTO. CUERPO FILTRO 00649
5	4404130106	JUNTA TORICA	9	00648R0102	CASQUILLO ADAPTADOR FILTRO
6	4404130107	TAPON PURGA 1/4" ANONIMO CON JUNT "			

CODIGO 00648, 00649

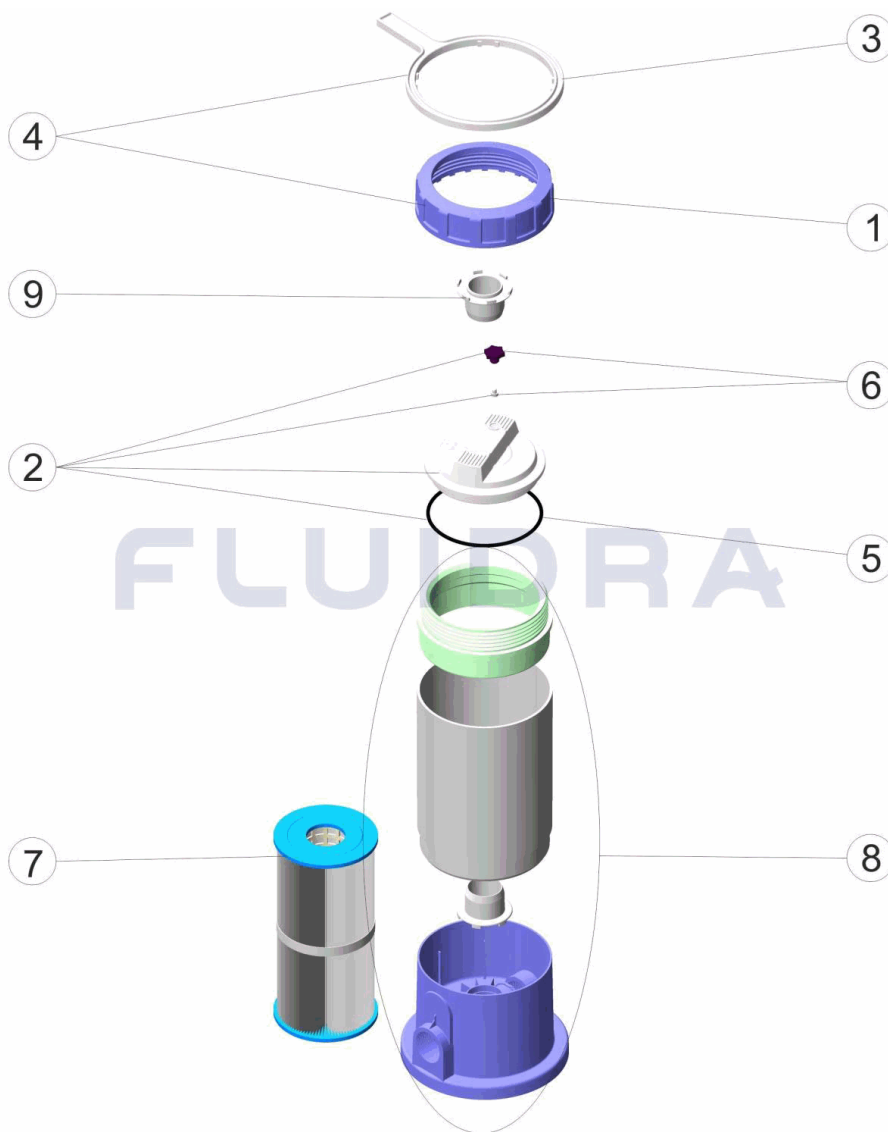
DESCRIPCION: FILTRO CARTUCHO SPAS 5000L/H. Y 10000 L/H.

OBSERVACIONES

POS	CODIGO	OBSERVACIONES
7	4404150000	PARA: 00648
7	4404150001	PARA: 00649
8	00648R0300	PARA: 00648
8	00649R0100	PARA: 00649

CODE 00648, 00649

DESCRIPTION: FILTRE CARTOUCHE SPAS 5000L/H. ET 10000 L/H.



FRANCAIS

POS	CODE	DESCRIPTION	POS	CODE	DESCRIPTION
1	4404130101	ECROU COUVERCLE PREFILTRE	7	* 4404150000	CARTOUCHE 5000 L HAUT 298X144
2	4404130102	COUVERCLE TRANSPARENT FILTRE	7	* 4404150001	CARTOUCHE P/FILTRE 00649
3	4404130103	CLE ECROU DE FILTRE	8	* 00648R0300	ENS CORPS FILTRE 00648
4	4404130104	ENSEMBLE ECROU ET CLE FILTRE	8	* 00649R0100	ENS CORPS FILTRE 00649
5	4404130106	JOINT TORIQUE	9	00648R0102	DOUILLE ADAPTATEUR FILTRE
6	4404130107	BOUCHON PURGE 1/4" ANONYME AVEC JOIN "			

CODE **00648, 00649**

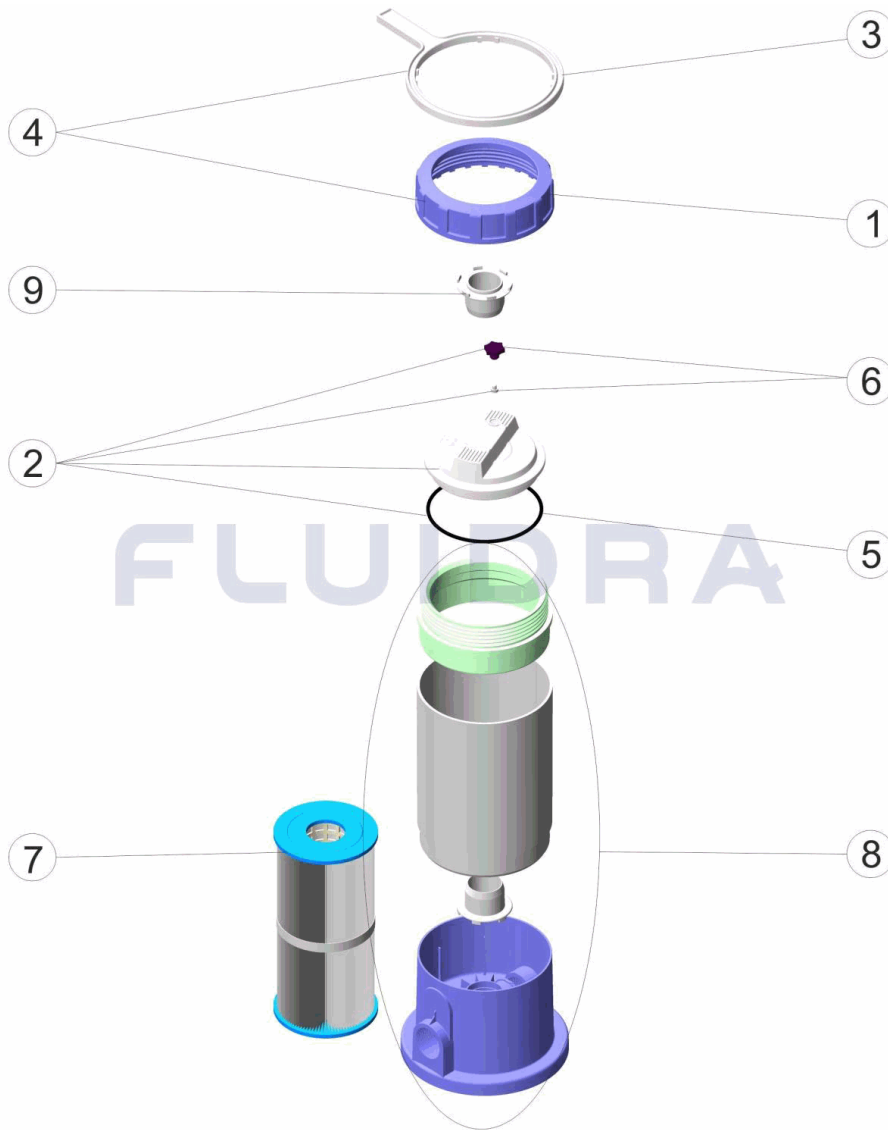
DESCRIPTION: **FILTRE CARTOUCHE SPAS 5000L/H. ET 10000 L/H.**

OBSERVATIONS

POS	CODE	OBSERVATIONS
7	4404150000	POUR: 00648
7	4404150001	POUR: 00649
8	00648R0300	POUR: 00648
8	00649R0100	POUR: 00649

CODE **00648, 00649**

DESCRIPTION: **FILTER CARTRIDGE SPAS 5000L/H. AND 10000L/H.**



ENGLISH

POS	CODE	DESCRIPTION	POS	CODE	DESCRIPTION
1	4404130101	PRE-FILTER COVER NUT	7	* 4404150000	5000 LITRE CARTRIDGE H. 298X144
2	4404130102	TRANSPARENT FILTER LID	7	* 4404150001	FILTER CARTRIDGE 00649
3	4404130103	LID SPANNER	8	* 00648R0300	FILTER BODY UNIT 00648
4	4404130104	FILTER NUT AND SPANNER ASSY	8	* 00649R0100	FILTER BODY UNIT 00649
5	4404130106	O' RING	9	00648R0102	FILTER ADAPTER BUSHING
6	4404130107	ANONYMOUS CAP			

CODE **00648, 00649**

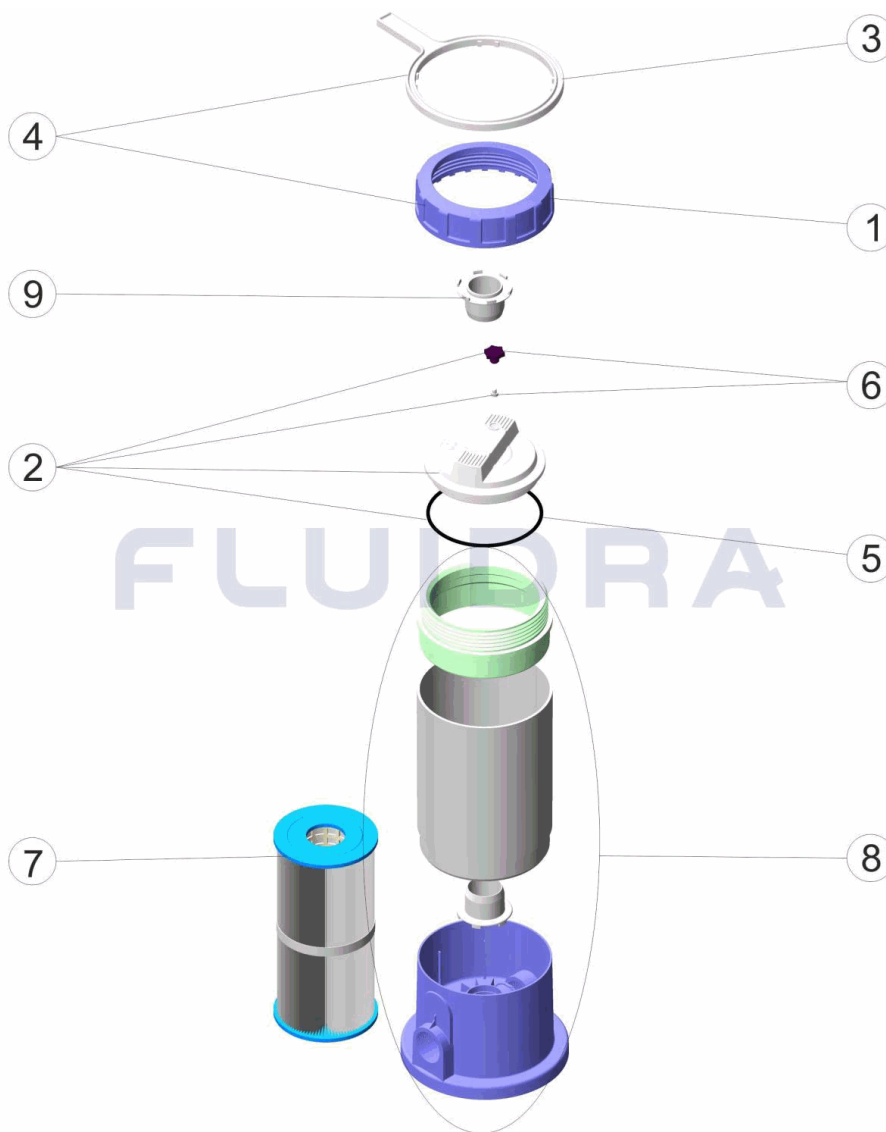
DESCRIPTION: **FILTER CARTRIDGE SPAS 5000L/H. AND 10000L/H.**

OBSERVATIONS

POS	CODE	OBSERVATIONS
7	4404150000	FOR: 00648
7	4404150001	FOR: 00649
8	00648R0300	FOR: 00648
8	00649R0100	FOR: 00649

CODICE **00648, 00649**

DESCRIZIONE: **FILTRO CARTUCCIA SPA 5000L/H E 10000L/H**



ITALIANO

POS	CODICE	DESCRIZIONE	POS	CODICE	DESCRIZIONE
1	4404130101	VITE COPERCHIO PREFILTRO	7	* 4404150000	CARTUCCIA 5000 L 298X144
2	4404130102	COPERCHIO TRASPARENTE FILTRO	7	* 4404150001	CARTUCCIA FILTRO 00649
3	4404130103	CHIAVE GHIERA PER FILTRO	8	* 00648R0300	KIT CORPO FILTRO 00648
4	4404130104	GRUPPO DADO E CHIAVE FILTRO	8	* 00649R0100	KIT CORPO FILTRO 00649
5	4404130106	O-RING	9	00648R0102	BOCCOLA ADATTATORE FILTRO
6	4404130107	APPO 1/4" SCARICO ANONIMO CON GUARNIZION "			

CODICE 00648, 00649

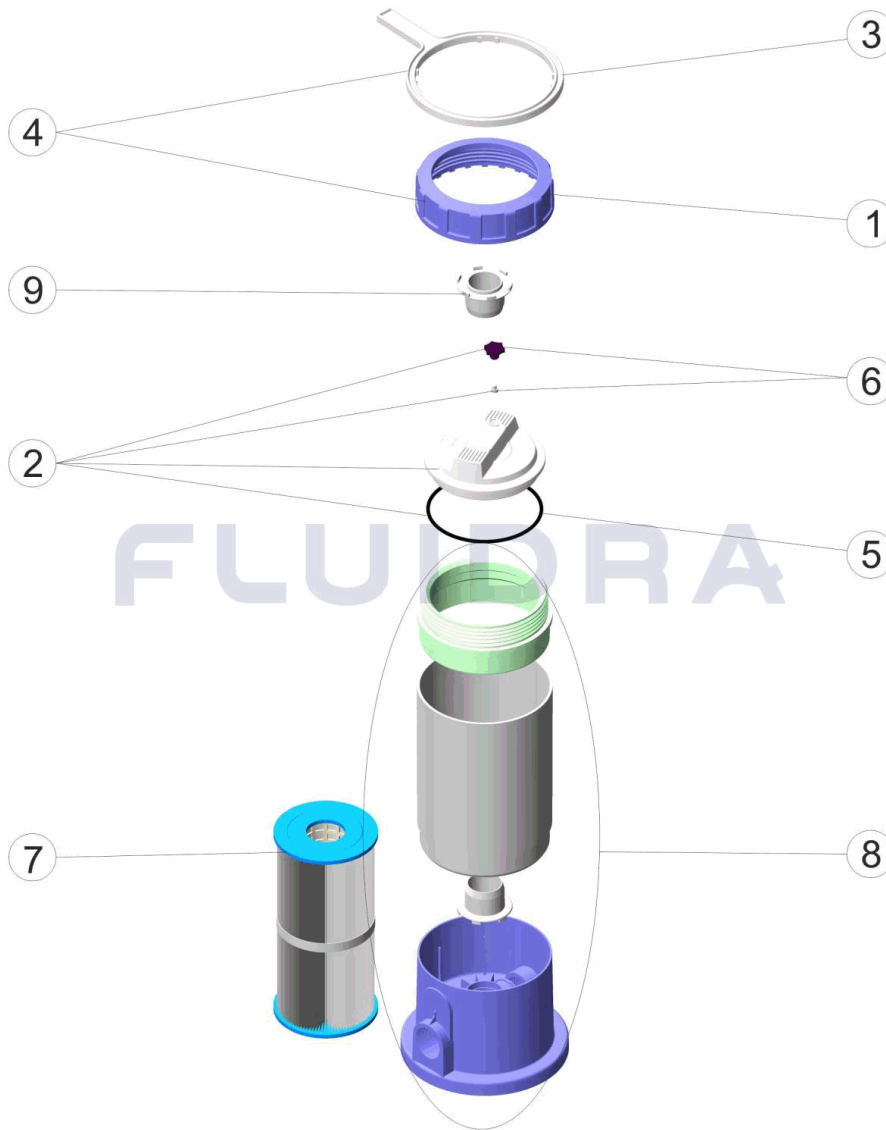
DESCRIZIONE: FILTRO CARTUCCIA SPA 5000L/H E 10000L/H

OSSERVAZIONI

POS	CODICE	OSSERVAZIONI
7	4404150000	PER: 00648
7	4404150001	PER: 00649
8	00648R0300	PER: 00648
8	00649R0100	PER: 00649

CODE 00648, 00649

BESCHREIBUNG: FITLER KARTUSCHE SPAS 5000L/H UND 10000 L/H



DEUTSCH

POS	CODE	BESCHREIBUNG	POS	CODE	BESCHREIBUNG
1	4404130101	MUTTER VORFILTERDECKEL	7	* 4404150000	KARTUSCHE 5000 LIT.ALT.298 X 144
2	4404130102	ABDECKUNG TRANSPARENT FILTER	7	* 4404150001	FILTERKARTUSCHE 00649
3	4404130103	SCHLÜSSEL MUTTER FILTER	8	* 00648R0300	SET FILTERGEHÄUSE 00648
4	4404130104	SET MUTTER UND SCHLÜSSEL FILTER	8	* 00649R0100	SET FILTERGEHÄUSE 00649
5	4404130106	O-RING	9	00648R0102	ADAPTERFASSUNG FILTER
6	4404130107	ABLASSSTOPFEN 1/4" ANONYM UND DICHTUN "			

CODE **00648, 00649**

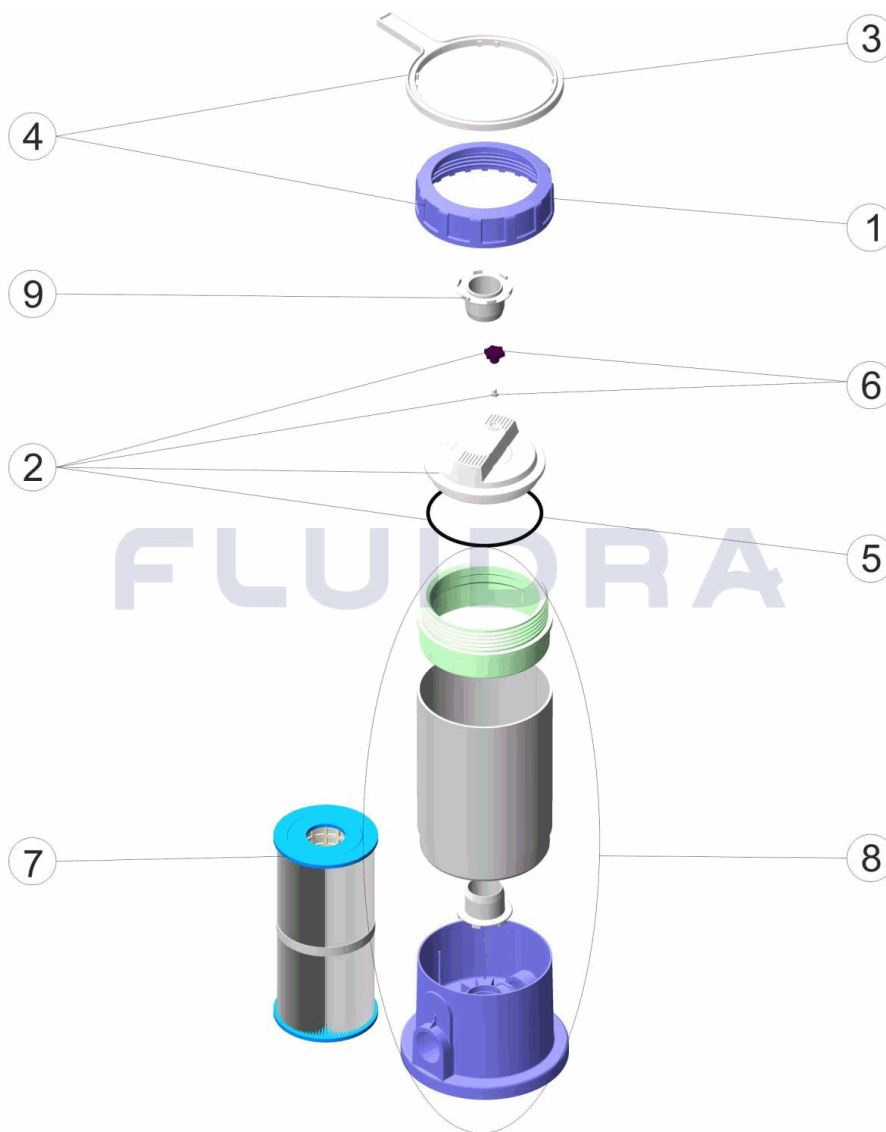
BESCHREIBUNG: **FITLER KARTUSCHE SPAS 5000L/H UND 10000 L/H**

HINWEISE

POS	CODE	HINWEISE
7	4404150000	FÜR: 00648
7	4404150001	FÜR: 00649
8	00648R0300	FÜR: 00648
8	00649R0100	FÜR: 00649

CODIGO **00648, 00649**

DESCRIÇÃO: **FILTRO CARTUCHO SPAS 5000 L/H. E 10000 L/H.**



PORTUGUES

POS	CODIGO	DESCRIÇÃO	POS	CODIGO	DESCRIÇÃO
1	4404130101	PORCA TAMPA PRE-FILTRO	7	* 4404150000	CARTUCHO 5000 LIT. ALT. 298X144
2	4404130102	TAMPA TRANSPARENTE FILTRO	7	* 4404150001	FILTRO CARTUCHO 00649
3	4404130103	CHAVE PORCA FILTRO	8	* 00648R0300	CONJ. CORPO FILTRO 00648
4	4404130104	CONJ. PORCA E CHAVE FILTRO	8	* 00649R0100	CONJ. CORPO FILTRO 00649
5	4404130106	JUNTA TÓRICA	9	00648R0102	CASQUILHO ADAPTADOR FILTRO
6	4404130107	TAMPAO PURGA 1/4" ANONIMO COM JUNT "			

CODIGO **00648, 00649**DESCRIÇÃO: **FILTRO CARTUCHO SPAS 5000 L/H. E 10000 L/H.****OBSERVACÕES**

POS	CODIGO	OBSERVACÕES
7	4404150000	PARA: 00648
7	4404150001	PARA: 00649
8	00648R0300	PARA: 00648
8	00649R0100	PARA: 00649